

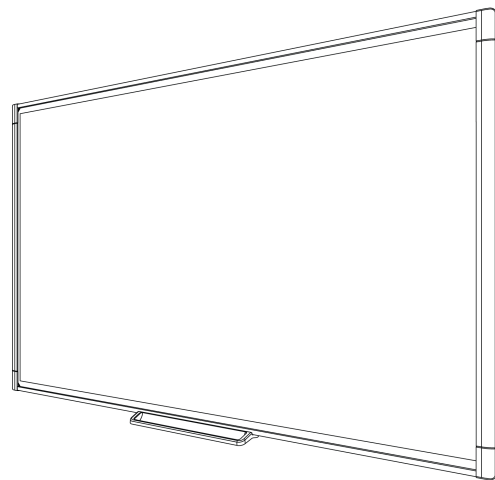
Specifications

SMART Board® interactive whiteboard

Model M680V

Physical specifications

Size	166 cm W × 128.2 cm H × 12 cm D (65 3/8" × 50 1/2" × 4 2/3")
Active screen area (maximum interactive projected image)	156.5 cm W × 117.5 cm H (61 5/8" × 46 1/4") 195.6 cm (77") diagonal
Weight	18.5 kg (40 lb. 13 oz.)
Shipping size	181 cm W × 134.6 cm H × 11.4 cm D (71 1/4" × 53" × 4 1/2")
Shipping weight	23.6 kg (52 lb.)
Accessory kit weight (pen ledge)	1.4 kg (3 lb. 2 oz.)



All dimensions +/- 0.3 cm (1/8"). All weights +/-0.9 kg (2 lb.).4

Standard features

Software	You can install SMART Product Drivers and SMART Notebook™ collaborative learning software from the included DVD or from smarttech.com/downloads . Software upgrades are available from smarttech.com/software .
Computer requirements	A computer or laptop with a Windows® operating system, Mac operating system software or Linux® operating system and SMART Notebook software installed. For a complete list of computer requirements, go to smarttech.com/downloads and browse to the latest SMART Notebook software release notes applicable to your operating system.

SPECIFICATIONS

SMART Board interactive whiteboard – Model M680V

NOTE

A digital projector isn't included with this model of SMART Board interactive whiteboard. To take advantage of all interactive features, you must integrate a digital projector.

Touch and gestures	Enables you to write, erase and perform mouse functions by touching the interactive whiteboard with your finger or a pen. This interactive whiteboard also features gesture capability, providing a natural and flexible way to interact with content.
Multitouch capabilities	Support for two simultaneous touches enables up to two users to interact with the interactive whiteboard using the included pens or other objects, or by using their fingers to write and perform gestures.
SMART Ink™	Smooths out the appearance of the digital ink, improving the legibility of your handwriting. The ink becomes an object you can move and manipulate.
Pen	Includes two pens
Screen surface	The hard-coated steel surface is durable, optimized for projection and is compatible with dry-erase markers.
Digitizing technology	Four-camera DVIT® (Digital Vision Touch) technology
Frame finish	White and light gray (approximates PANTONE® Cool Gray 4C)
Power requirements	1.8 m (6') power cable. Power consumption is less than 7 W (100V to 240V AC, 50/60 Hz, 5V DC 2.0A).
Computer connection	Includes a 5 m (16') USB 2.0 cable to room computer Your SMART Board M680V interactive whiteboard supports one computer connection on a primary display only.
Environmental compliance	China EIP; EU REACH, RoHS, WEEE, Packaging and ErP Standby, US Packaging and Conflict Minerals
Regulatory certification	CSA (U.S./Canada)
Warranty	Your interactive whiteboard has a two-year limited equipment warranty. See warranty document for details.
Temperature specifications	
Storage	-20°C to 50°C (-4°F to 122°F)
Operation	5°C to 35°C (41°F to 95°F) with up to 80% humidity, non-condensing

SPECIFICATIONS

SMART Board interactive whiteboard – Model M680V

SMART order numbers

- SBM680V** 195.6 cm (77") diagonal SMART Board M680V interactive whiteboard with pen ledge. Includes a SMART Notebook software installation DVD.
- SBM680V-B** Bulk order of five SBM680V units

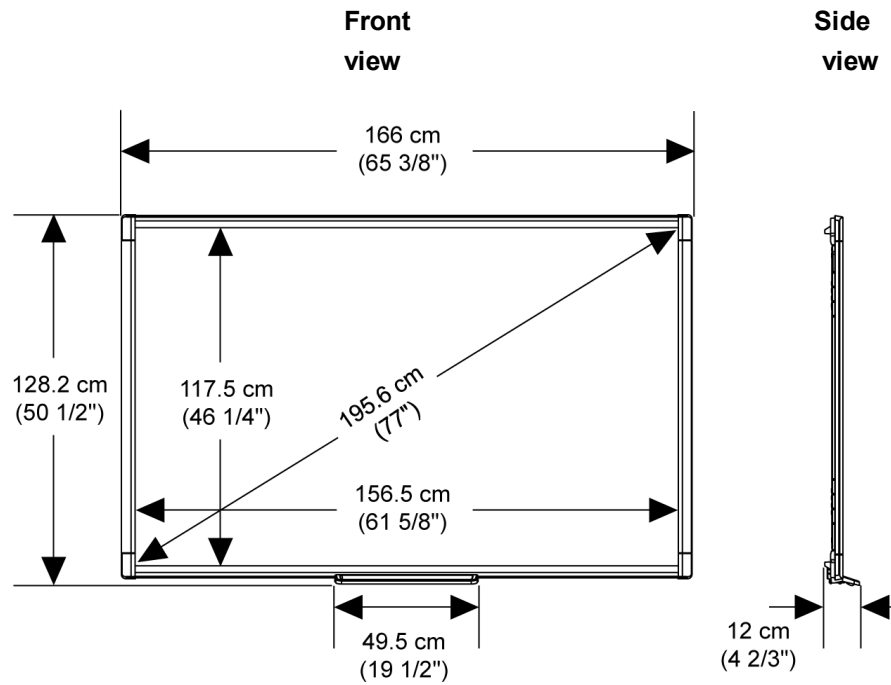
Optional accessories

For more information on additional accessories for your SMART Board M680V interactive whiteboard, see smarttech.com/accessories.

SPECIFICATIONS

SMART Board interactive whiteboard – Model M680V

Physical dimensions



smarttech.com/support
smarttech.com/contactsupport

© 2013 SMART Technologies ULC. All rights reserved. SMART Board, SMART Notebook, SMART Ink, DVIT, smarttech, the SMART logo and all SMART taglines are trademarks or registered trademarks of SMART Technologies ULC in the U.S. and/or other countries. All third-party product and company names may be trademarks of their respective owners. This product and/or use thereof covered by one or more of the following U.S. patents: smarttech.com/patents. Contents are subject to change without notice. 10/2013.